



GLC300-2 2V 300Ah

GLC SERIES-Lead Carbon Battery

Benefits

- Extra long life design, design life is 20 years
- Superior PSoC and deep cycling performance
- Excellent quick charge performance, reduce charging time by 30%
- High potential fuel savings when used with hybrid genset applications

Technical Features

- Adopt lead- carbon capacitance technology, reduce the cathode sulphation, ideal for PSoC cycle application and can deliver 4~5 times better cyclic life compared with normal VRLA
- Better charge acceptability and faster recharge performance
- Exquisite design for premium quality, high reliability and stability

Main Applications

- Renewable energy (wind & solar) storage system
- Peak shifting of electrical power system
- Frequency regulation and load following service
- Smart-grid & micro-grid sites
- Off-grid & bad-grid sites

Technical Parameters

Nominal Voltage	2 V
Capacity	300 Ah @ 10hr to 1.80 V@ 25°C (77°F)
Weight	19kg
Dimensions	Length: 170mm Width: 150 mm Height: 337mm Total height: 350mm
Internal Resistance (full charged)	0.39 mΩ
Short- circuit Current	6400 A
Self Discharge @25°C(77°F)	Less than 4% after 30 days storage
Operating Temperature Range	Discharge: -40°C ~ 50°C(-40°F ~ 122°F) Charge: -20°C ~ 45°C(-4°F ~ 113°F) Storage:-20°C ~ 40°C(-4°F ~ 104°F)
Recommended Operating Temperature	15°C ~ 25°C (59°F ~ 77°F)
Recommended Charging Current	45 A
Maximum Charging Current	90 A
Charging Voltage @25°C(77°F)	Float: 2.23 V/cell Equalize: 2.35 V/cell
Terminal	M8
Container Materials	ABS/ABS V0 (Optional)
Capacity Affected by Temperature(C ₁₀)	105% @ 40°C(104°F) 85% @ 0°C(32°F) 60% @ -20°C(-4°F)
Design Life @25°C(77°F)	20 years

Constant Current Discharge Characteristics Unit: A (25°C, 77°F)

F.V/Time	15min	30min	1hr	3hr	5hr	8hr	10hr	20hr	48hr
1.75V	365	253	166	80	55	39	33	17.3	7.4
1.80V	322	237	160	77	54	38	32	17.0	7.3
1.85V	279	211	145	73	52	37	31	16.4	7.0
1.90V	223	170	125	62	43	31	25	14.6	6.8

Constant Power Discharge Characteristics Unit: W/cell (25°C, 77°F)

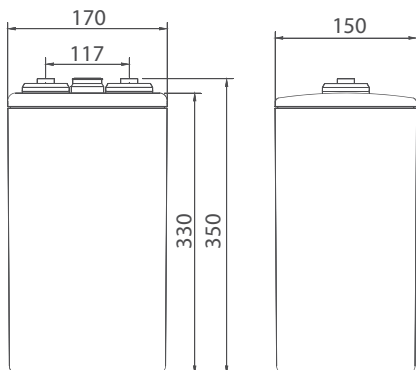
F.V/Time	15min	30min	1hr	3hr	5hr	8hr	10hr	20hr	48hr
1.75V	619	488	310	156	105	72	63	33.9	15.4
1.80V	592	425	304	152	104	71	62	33.6	15.2
1.85V	533	396	297	145	101	70	59	31.9	14.6
1.90V	430	318	258	124	86	61	50	28.9	13.7

Note The above data are average values, and can be obtained with 3 charge/discharge cycles. These are not minimum values.

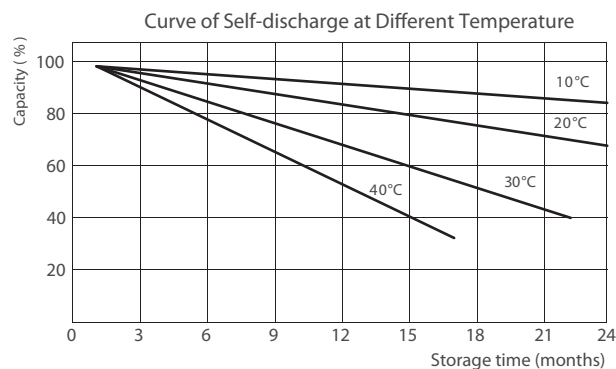
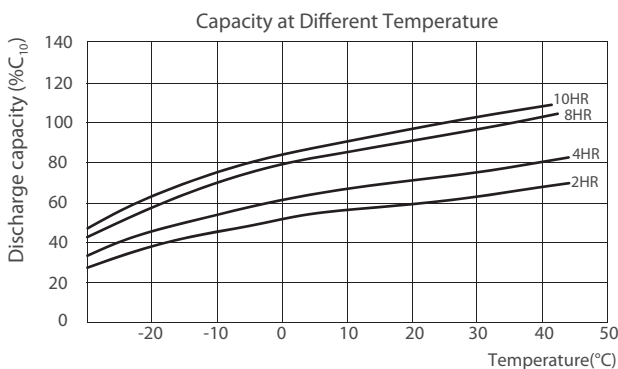
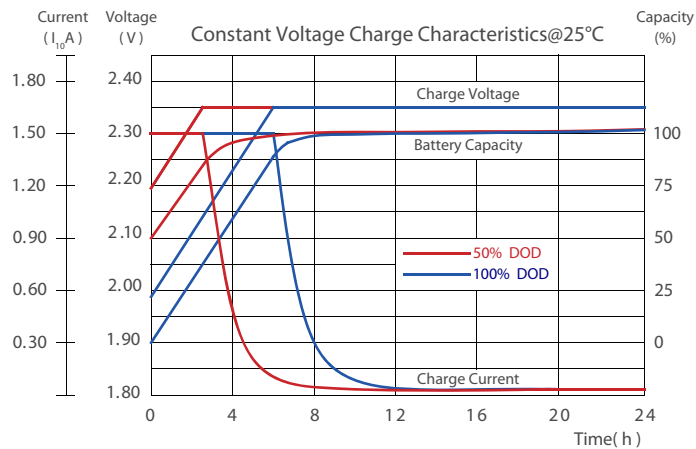
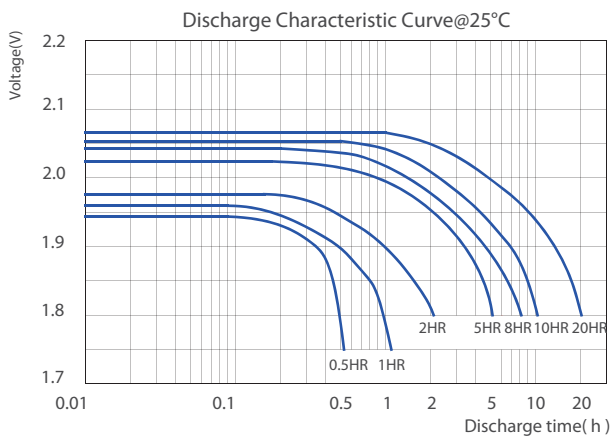


GLC300-2 2V 300Ah GLC SERIES-Lead Carbon Battery

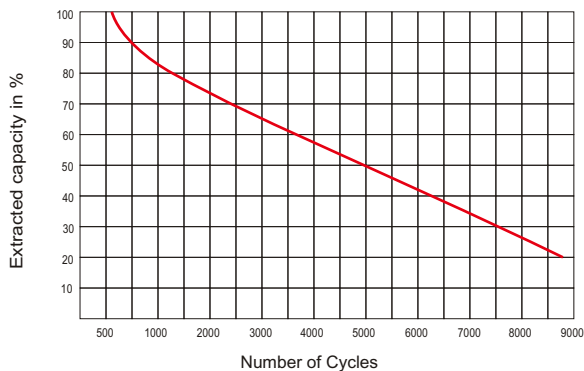
Dimensions



Performance Curve



Cycle Life in Relation to Depth of Discharge



JYC GLC BATTERIES

This information is generally descriptive only and is not intended to make or imply any representation, guarantee or warranty with respect to any cells and batteries. Cell and battery designs/specification are subject to modification without notice. Contact JYC for the latest information.